

Overhead suspended lead acrylic shield

351/68-001 (60 cm x 80 cm, 0.5 mm Pb equivalent shield)

Effective upper body protection

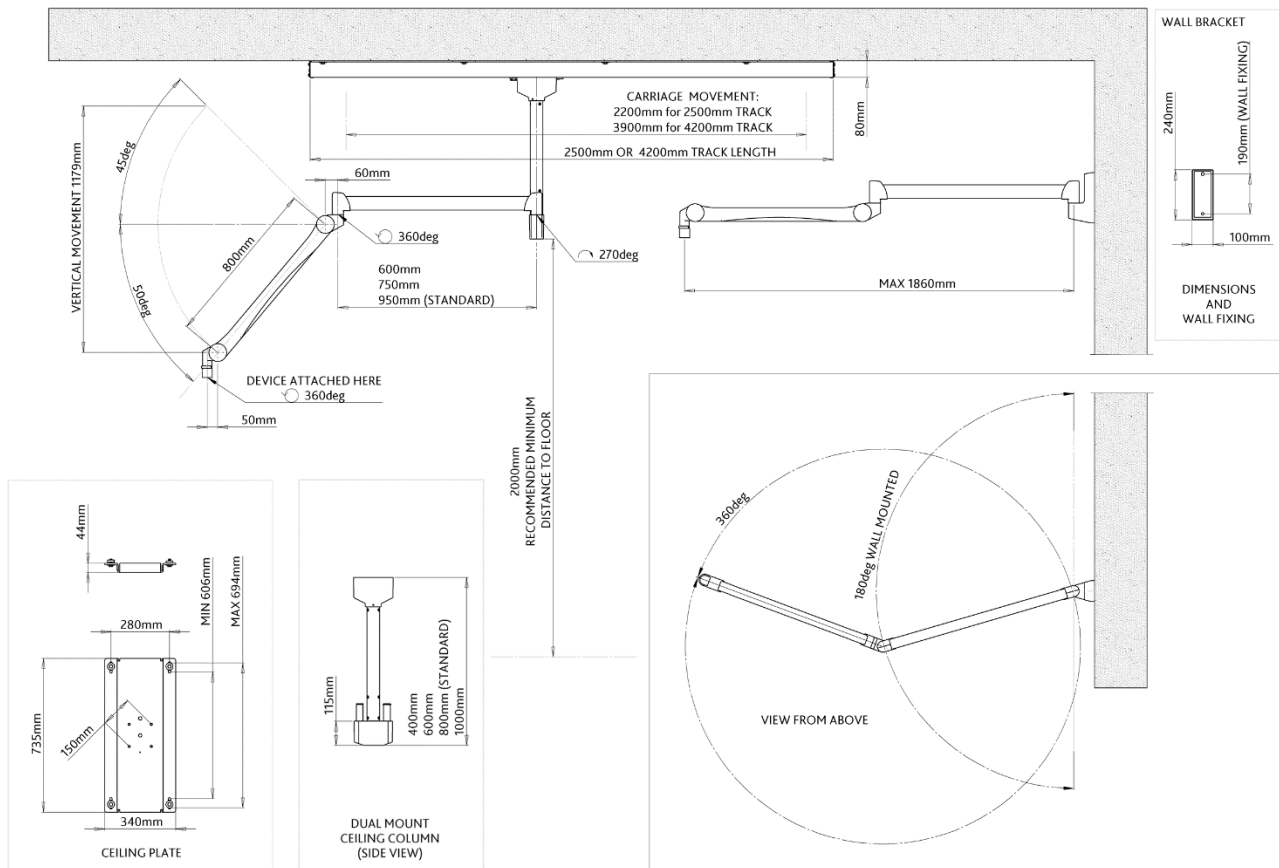
This 60 cm x 80 cm shield uses 0.5 mm equivalent lead acrylic (@150 kV) for effective protection to the upper body. The robust yoke assembly provides stability and protection to the window. The shield can be easily positioned over the patient and can be optionally fitted with a 0.5 mm Pb equivalent flexible curtain, which can be added to further reduce scatter radiation.

Key features

- > 60 cm x 80 cm shield.
- > 0.5 mm equivalent lead acrylic (@150 kV).
- > A version with a corner cut-out is also available for easy positioning over the patient (351/P/68-001).
- > Optionally 0.5 mm Pb equivalent flexible curtain available.
- > Connects to a two-part suspension arm, supported by a ceiling column. Standard ceiling column length is 80 cm (see over – other lengths are available).
- > Ceiling column can be statically mounted to the ceiling or attached to a movable carriage in a ceiling track.
- > Optional installation aid #300/P/004 can be used to attach a column to Unistrut rails (or equivalent) in a suspended ceiling (see over).

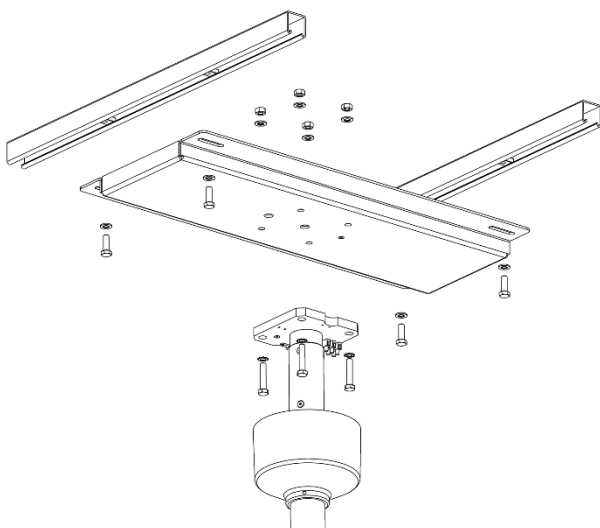


Technical information



Optional installation aid

Ceiling plate #300/P/004
 (shown with ceiling rails and ceiling column)



Weights, dimensions & ordering information

- 60 x 80 cm type 351 shield assembly **12 kg**
- Dual mount ceiling column (80 cm) **11 kg**
- Suspension arm **9 kg**
- Wall bracket **2 kg**
- Ceiling track **50 kg**
- Installation aid - Anchorage plate (#300/P/004) **15 kg**