

# Overhead suspended lead acrylic shield

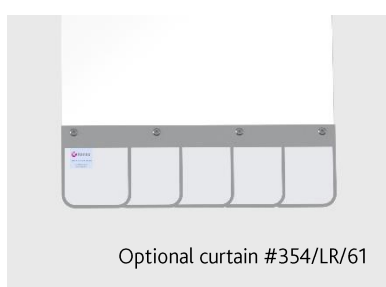
354/76-001 (76 cm x 61 cm, 0.5 mm Pb equivalent centre mounted shield)

## Effective upper body protection

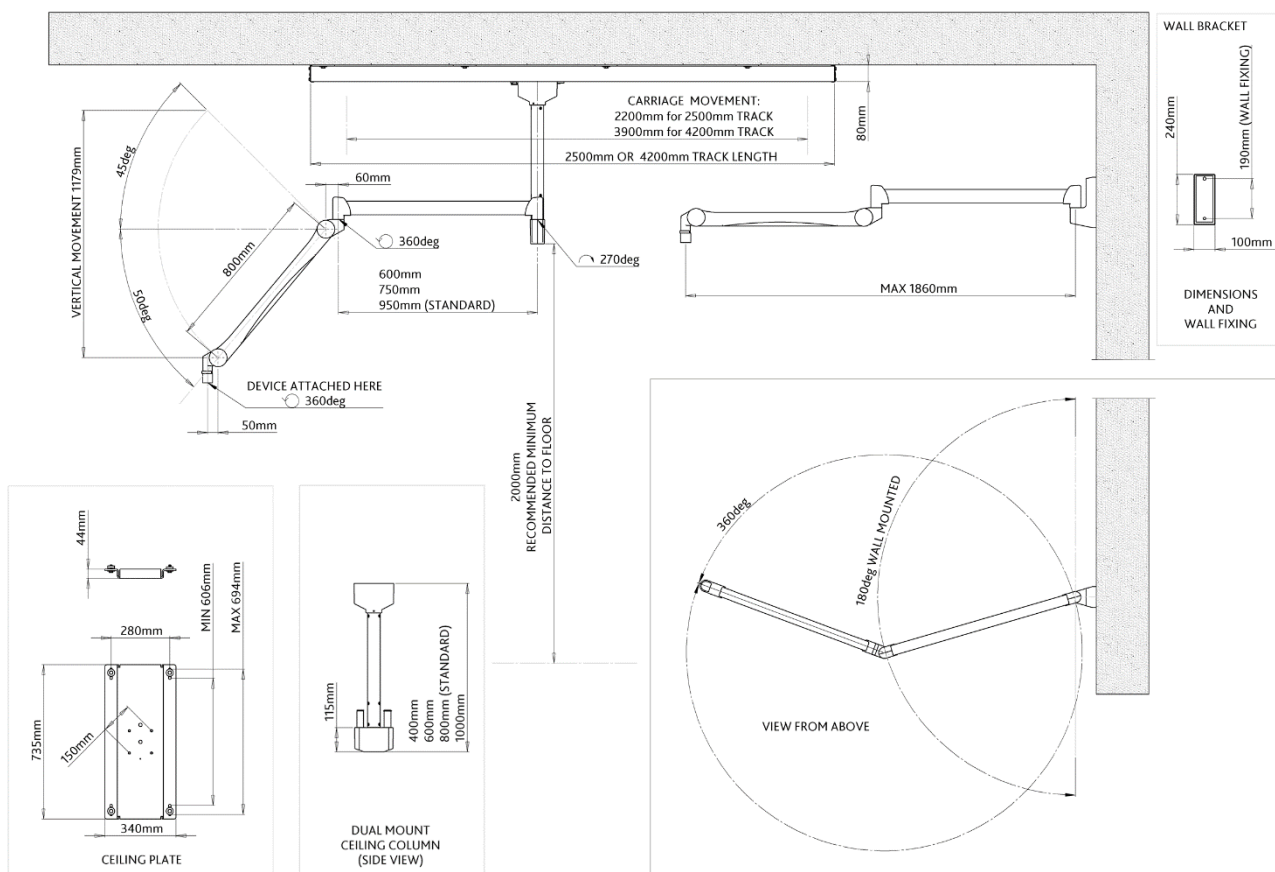
This 76 cm x 61 cm shield uses 0.5 mm equivalent lead acrylic (@150 kV) for effective protection to the upper body. The central mount system allows 360 degree rotation ensuring the shields effective positioning. An optional 0.5 mm Pb equivalent curtain can be added to further reduce scatter emanating from the patient.

## Key features

- > 76 cm x 61 cm shield.
- > 0.5 mm equivalent lead acrylic (@150 kV).
- > Central mount system allowing 360 degree rotation.
- > A version with a corner cut-out is also available for effective positioning over the patient (354/P/76-001).
- > Optionally 0.5 mm Pb equivalent flexible curtain available.
- > Connects to a two-part suspension arm, supported by a ceiling column. Standard ceiling column length is 80 cm (see over – other lengths are available).
- > Ceiling column can be statically mounted to the ceiling or attached to a movable carriage in a ceiling track.
- > Optional installation aid #300/P/004 can be used to attach a column to Unistrut rails (or equivalent) in a suspended ceiling (see over).

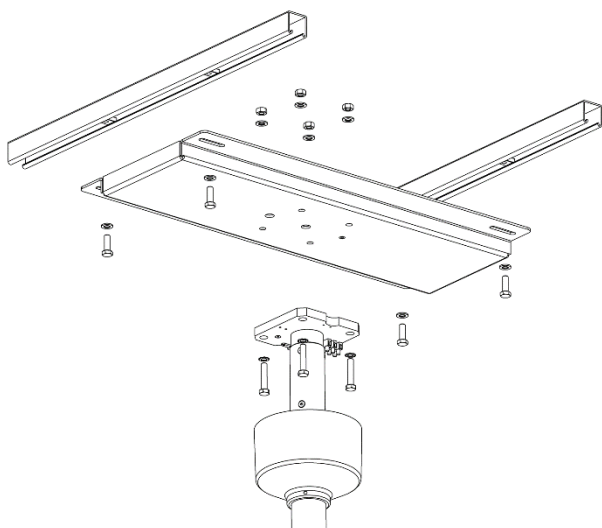


## Technical information



## Optional installation aid

Ceiling plate #300/P/004  
(shown with ceiling rails and ceiling column)



## Weights, dimensions & ordering information

76 x 61 cm type 354 shield assembly **12 kg**  
 Dual mount ceiling column (80 cm) **11 kg**  
 Suspension arm **9 kg**  
 Wall bracket **2 kg**  
 Ceiling track **50 kg**  
 Installation aid - Anchorage plate (#300/P/004) **15 kg**